

KUKINI™

Special needs stroller



⚠ ATTENTION!

Manufacturer takes responsibility for proper usage of the device only when the product was purchased from qualified Akces-MED Ltd. employee or at specialized medical store!

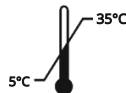
Akces-MED Ltd. reserve the right to introduce technical and trading changes in the content of the instruction without warning.



Product marked with the CE sign is Class I medical device, of rule 1, consistent with the requirements of Regulation (EU) 2017/745 of the European Parliament and of the Council of 5 April 2017 on medical devices.



Akces-MED. Ltd. introduced quality management system ISO 13485 regarding production, sales and service.
The system is certified by SGS.



Contents

Introduction.....	4
1. The purpose of user manual.....	5
2. Indications and contraindications for use.....	5
3. General characteristic of the stroller.....	7
4. Size table.....	8
5. How to use the stroller.....	9
5.1 Unfolding the stroller.....	9
5.2 Folding the stroller.....	10
5.3 Footrest.....	11
5.4 Removing the wheels.....	12
5.5 5-point safety belts.....	13
5.6 Adjustable backrest.....	16
5.7 Push handle.....	17
5.8 Central brake.....	17
5.9 Hand brake.....	17
5.10 Springs adjustment.....	20
6. The use of the stroller.....	21
6.1 Preparation of the user.....	21
6.2 Preparation of the stroller.....	22
7. Safety rules.....	23
8. Terms of warranty.....	25
9. Maintenance and cleaning.....	25
10. Labelling.....	29



Introduction

The **KUKINI™** special needs stroller is a solution for people who are looking for comfort, safety and stability for their children, and still want to actively spend time with them walking or running.

Thanks to its low weight, KUKINI™ will work well for both long walks and running training. It is designed for people with a height of 100 to 135 cm and maximum weight of 40 kg (for size 1) and for people with a height of 130 to 165 cm and maximum weight of 65 kg (for size 2).

The adjustable backrest allows the user to set an optimal sitting or semi-reclining position. It provides comfort and safety during transportation and daily rehabilitation of people who are not able to sit or stand independently due to their health conditions.

A wide range of equipment allows you to adapt the stroller for the appropriate comfort of both user and caregiver. KUKINI™ is a way to actively spend time together with your child.

Remember to read this user manual carefully. You will find not only useful information but also guidelines safe and effective use of the product.

If you have any questions or remarks, do not hesitate to contact with us:

Medical adviser: mobile. +48 516 183 883

Akces-MED Ltd.: ph. +48 17 864 04 77

e-mail: export@akces-med.com

ATTENTION!

Before using the product, user is obliged to familiarize himself/herself with user manual.

Remember that complying with guidelines is highly important. It assures safety and extends durability as well as aesthetics of the device.

1. The purpose of user manual

ATTENTION!

The instruction manual contains basic information necessary to properly prepare the stroller before use, use the stroller, maintain and clean the stroller.

This user manual should be kept in an easily accessible place. The manual is intended for people who look after disabled users, as well as for doctors and physiotherapists handling the stroller.

Before using the stroller for the first time, the user (or caregiver) is obliged to familiarize himself/herself with the user manual.

2. Indications and contraindications for use

These medical devices are intended for people with orthopedic, neurological and cardiological diseases and for people after surgery, with musculoskeletal dysfunctions, who have not acquired the ability to sit independently or who have difficulties in adopting and maintaining the sitting position.

Both for flaccid people with reduced muscle tone and for people with spasticity. The device can also be really useful for people who require long-term relief of one or both lower limbs. It is an irreplaceable aid in the rehabilitation process, both in terms of movement and social integration. The device is great help during everyday activities such as rehabilitation but also during playing, studying or having meals. The selection of the appropriate size of the device depends on medical indications and anatomical parameters, regardless of the age of the user.

The device is recommended for people in the following cases:

- Cerebral palsy – various types and forms,
- Brain and spinal cord injuries with lower limbs paralysis and weakness, balance and motor coordination disorders with different etiology,
- Demyelinating disease (e.g. multiple sclerosis - SM),
- Meningocele,
- Muscles diseases with weakness and paralysis (dystrophy, myasthenia gravis, myositis),
- Genetic disorders,
- Degeneration and neurological diseases,
- Other condition connected with muscles weakness, paralysis and musculoskeletal disorders,
- After head and spinal cord injuries and spine trauma with paralysis and paresis.

2. Indications and contraindications for use

Contraindications for sitting:

- Critical condition of the user,
- Paralysis,
- Deep sedation,
- Unstable fractures with specific orthopedic recommendations, including spine fractures,
- Untreated deep vein thrombosis,
- Hemodynamic instability,
- Identified brain dysfunction when sitting upright,
- Severe arthritis of the cervical spine,
- Pulmonary embolism,
- Recent myocardial infarction in the last 24 hours,
- Fresh postoperative wounds or non-healing wounds in the back area, pelvic girdle area, hip joints and thighs,
- Users with mental disorders should not be left in the device without the supervision of a caregiver.

3. General characteristic of the stroller

ERGONOMIC PUSH HANDLE

BACKREST WITH ADJUSTABLE TILT ANGLE AND A STORAGE POCKET

SAFETY STRAP ON THE WRIST

5-POINT SAFETY BELTS WITH A MAGNETIC FASTENER

SEAT CUSHION WITH VISMEMO™ FOAM

REMOVABLE INFLATABLE REAR WHEELS

ADJUSTABLE FOOTREST

REMOVABLE INFLATABLE FRONT WHEEL

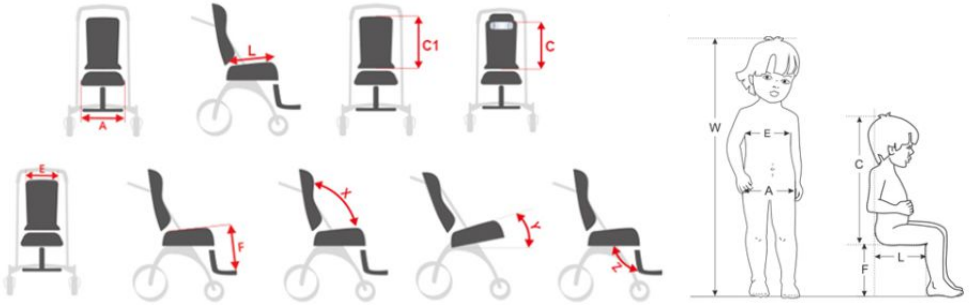
FOLDABLE ALUMINIUM FRAME EQUIPPED WITH A FRONT WHEEL DISC BRAKE AND REAR WHEEL CENTRAL BRAKE

VOYAGER BACKPACK

INFORMATION!

Accessories for the KUKINI are available on the website: en.akces-med.com/product/kukini/

4. Size table



Symbol	Measurement	Unit	Size 1	Size 2
W	indicative user height *	[cm]	100 - 135	130 - 165
A	seat width	[cm]	37	43
L	seat depth	[cm]	37	41
C	headrest height	[cm]	47 - 60	60 - 78
C1	backrest height	[cm]	60	78
E	backrest width	[cm]	36	42
F	footrest length	[cm]	27, 40	35, 45
	push handle height	[cm]	90 - 120	87 - 135
X	backrest tilt angle	[°]	95 - 130	95 - 130
Y	seat tilt angle	[°]	20	20
Z	footrest tilt angle	[°]	125	125
	maximum user weight	[kg]	40	65

Weight and dimensions

	Unit	Size 1	Size 2
width	[cm]	67	74
width after folding **	[cm]	54	60
length - minimum	[cm]	124	141
length - maximum	[cm]	143	169
length after folding **	[cm]	97	103
height	[cm]	105	107
height after folding **	[cm]	38	38
weight ***	[kg]	14	16,5

Note: Measurement tolerance range is +/- 1 cm / 1/2 in.

* This measurement cannot be the main parameter while choosing the product size.

** Folded dimensions are for a stroller with removed wheels and an unfastened footrest.

*** Weight with standard equipment.

5. How to use the stroller

5.1 Unfolding the stroller

i INFORMATION!

The stroller has the ability to remove the wheels. It allows to reduce the size of the product making it easier to transport or store.

Wheels assembly is shown on page 12 of the manual.



A ATTENTION!

Pay particular attention to foldable parts of the stroller frame, which pose a risk of injury.

There shall be no upholstery between the moving parts of the stroller.

Before using the stroller, check that all components are properly locked and that the upholstery is properly installed (that the fastening tensions are properly fastened). It is possible to accidentally unfasten the fastening tensions when folding the stroller.

Each of the upholstery fasteners must absolutely be fastened.

5. How to use the stroller

5.2 Folding the stroller



i INFORMATION!

We recommend pulling down the footrest before starting to fold the stroller.

There is a risk of damaging the footrest by hitting the ground with it while folding the stroller.

A ATTENTION!

Pay particular attention to foldable parts of the stroller frame, which pose a risk of injury.

There shall be no upholstery between the moving parts of the stroller.



i INFORMATION!

Be sure to fasten the locking mechanism - to prevent the stroller from unfolding independently.

The stroller has the ability to remove the wheels. It allows to reduce the size of the product making it easier to transport or store. - see 5.4 *Removing the wheels* page 12.

5. How to use the stroller

5.3 Footrest

INFORMATION!

To change the height of the footrest, press the levers located on both sides of the footrest, using the holes located on both sides.

It is possible to set the height of the footrest on three levels.

Remember to secure the footrest cover by fastening the belt behind the footrest construction.



5. How to use the stroller

5.3 Footrest



5.4 Removing the wheels

FRONT WHEEL



REAR WHEELS



5. How to use the stroller

5.5 5-point safety belts

i INFORMATION!

The belts can be mounted at a desired height on the backrest of the stroller - remember to mount both upper straps of the 5-point safety belts at the same height.

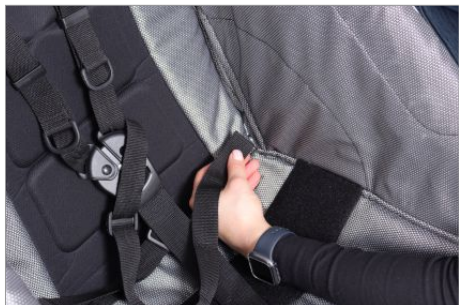
Each time before using the stroller, fasten the 5-point safety belts and check if they are properly fastened.



i INFORMATION!

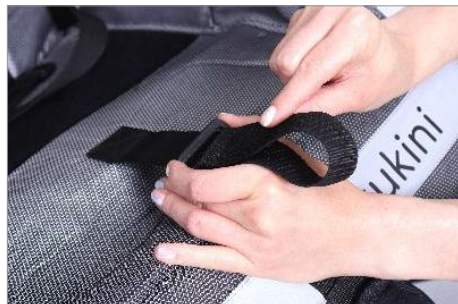
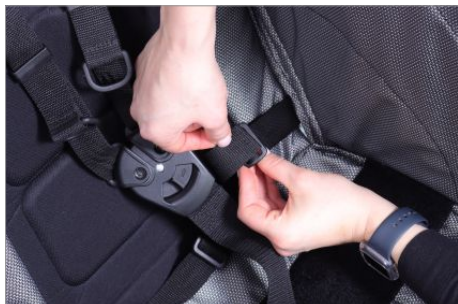
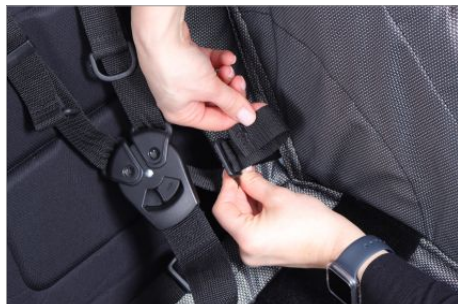
The upper straps are fastened behind the backrest of the stroller.

After opening the backrest pocket, secure the upper straps with the nuts.



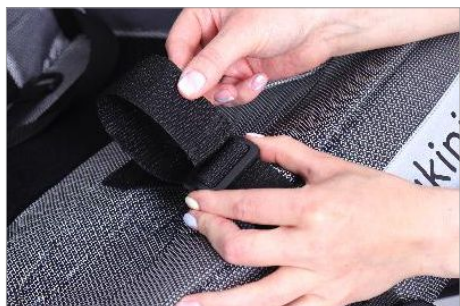
5. How to use the stroller

5.5 5-points safety belts



5. How to use the stroller

5.5 5-points safety belts



UNLOCKED THE 5-POINT SAFETY BELTS

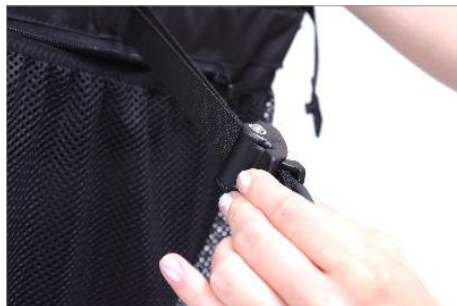


ATTENTION!

Before using the stroller, check if 5-point safety belts are properly fastened.

5. How to use the stroller

5.6 Adjustable backrest



i INFORMATION!

Before using the stroller, check if the locking element of the backrest angle is properly secured.

Maximum load of the storage pocket behind the backrest is 1 kg.

5.7 Push handle



i INFORMATION!

There is a wrist safety strap on the stroller's push handle - when worn by the caregiver, it prevents the stroller from moving away accidentally.

5. How to use the stroller

5.8 Central brake



WHEELS UNLOCKED - START POSITION



WHEELS BLOCKED - STOP POSITION

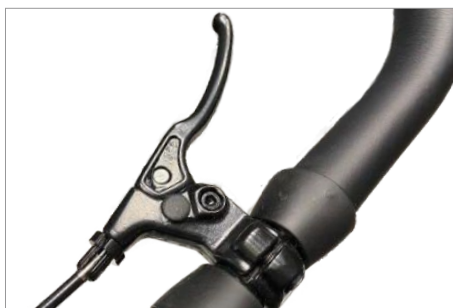
⚠ ATTENTION!

Note that only the center brake should be used when the wheelchair is parked.

5.9 Hand brake

⚠ ATTENTION!

The hand brake should be used only for slowing down the stroller, for example, when driving down a sloping terrain.



HAND BRAKE ADJUSTMENT

i INFORMATION!

Brake linings may wear out or become unsettled - this is a typical consequence of the product's use.

If this occurs, the linings must be replaced and/or the spacing re-adjusted - both on the inner and outer sides of the brake disc.

Adjustment diagram - page 18 - 19 of the manual.

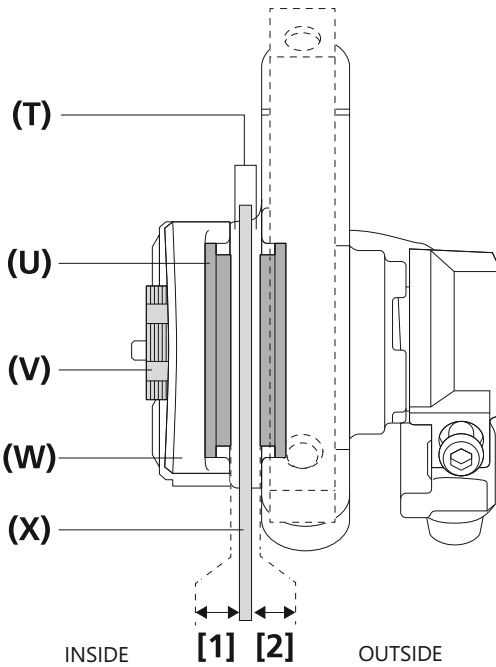
5. How to use the stroller

5.9 Hand brake - adjustment diagram

ATTENTION!

Remember to adjust both the gap on the inner side and the gap on the outer side. Adjusting the gap only on one side can cause:

- contact between the brake linings and the brake disc,
- obtaining insufficient braking power,
- contact between the brake disc and the braking clamps during braking.



INFORMATION!

Brake linings can be used as long as their thickness is at least 0,5 [mm].

- (T) DISC GAP
- (U) BRAKE LINING
- (V) LINING ADJUSTMENT SCREW
- (W) CLAMP
- (X) BRAKE DISC
- (Y) CABLE ADJUSTMENT KNOB
- (Z) CABLE ADJUSTMENT NUT

STEP 1.

Align the two gaps between the brake disc and the brake linings:

inner side [1] = outer side [2].

The gap between the linings [1] [2]: 0,2 - 0,5 [mm].

5. How to use the stroller

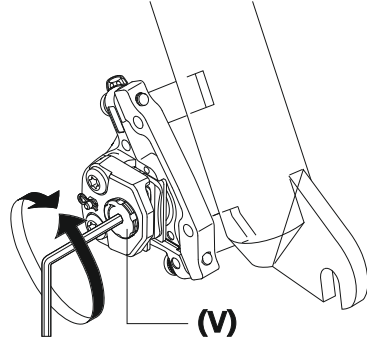
5.9 Hand brake - adjustment diagram

INSIDE

STEP 2.

Adjust with the lining adjustment screw.

(V) LINING ADJUSTMENT SCREW



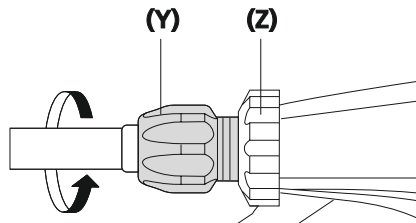
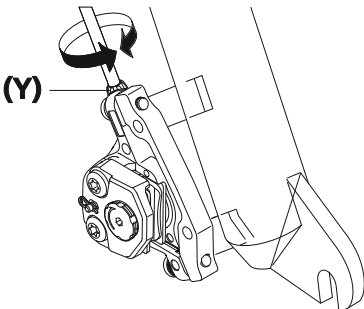
OUTSIDE

STEP 3.

Adjust by turning the cable adjustment knobs at the clamps and brake levers.

(Y) CABLE ADJUSTMENT KNOB

(Z) CABLE ADJUSTMENT NUT



5. How to use the stroller

5.10 Springs adjustment

INFORMATION!

It is possible to change the stiffness of the stroller springs, which allows for stiffening the construction or increasing its shock absorption.

Adjustment should be made with a wrench included in the set.



6. The use of the stroller

ATTENTION!

Before using the product, user is obliged to familiarize himself/herself with user manual.
Do not forget to prepare both product as well as user before using the device.

6.1 Preparation of the user

Before using the product, it is essential to make sure that:

- user's outfit is light and comfortable sporty clothes are advisable,
- shoes should be comfortable and, moreover, they should stabilize ankle,
- due to hygienic reason and to avoid abrasion it is advisable for the patient to always wear clothes when using the device, skin must not be naked especially in places of regular contact with upholstery,
- drains, bags, catheters etc. if applied, have to be secured to function properly and not to disturb during using the product,
- if it is necessary for a user to wear orthopedic supply (collar, corset, orthosis, shoes) if it is recommended by doctor.

ATTENTION!

Outfit should protect user's skin from direct contact with upholstery as well as other parts of equipment.

Only doctor can make a decision concerning using any kind of orthopedic supply!

6. The use of the stroller

6.2 Preparation of the stroller

1. Before use it is necessary to:

- unfold the device,
- check the correct mounting of the wheels and the inflation rate, if there is too little air they should be inflated, keeping in mind the maximum pressure of 2.4 bar,
- place the device on even ground allowing easy access to the device, away from sources of fire and high temperature,
- make sure that all parts are serviceable, correctly mounted and stable,
- block brakes,
- adjust the device to user's measurements,
- undo the 5-point safety belts or other elements used to stabilize and secure the user so as to allow the user to lie freely in the device,
- place user in the device,
- fasten all elements which stabilize user,
- set the user's support and positioning elements (if any),
- mount accessories (if any).

2. In case of patients who have problem with bladder, it is necessary to put special cloth on seat. This cloth can be purchased in pharmacy or medical shops.

ATTENTION!

Before the product is used, it is highly necessary to make sure that all belts as well as safety equipment are correctly fastened as well as adjusted. What is more, check if they do not become undone due to the pressure and, moreover, make sure that clampings from adjustable elements are firmly tightened!

In case of any obstacles such as step or curb, it is necessary to raise front wheels by pressing the handle down. Next, place front wheels on step and then raise back part of stroller with the aid of handle.

Be careful not to tilt the stroller back too much, which may cause a loss of stability. The maximum load of the stroller pocket behind the backrest is 1 kg.

Remember to place stroller forwards.

When using the stroller, always use a wrist brace and hold the push handle to prevent the stroller from rolling on its own.

Equipment works correctly only when the device is adjusted according to user's height as well as weight.

Correct adjustment is the most important due to the fact that only then the product is safe. It is forbidden to force child to keep specific position because he/she will feel uncomfortable and it may lead to wrong posture.

Improper use of the product can lead to the fixation of abnormal posture patterns.

7. Safety rules

ATTENTION!

KUKINI™ stroller has to be used in compliance with guidelines in this user manual.

Before each use, prepare user and the device

It is highly important to consult either doctor or physiotherapist in order to make right decision concerning the choice of stroller and its size. It is also essential to familiarize with the guidelines described in user manual before using the device.

- 1) Before use it is necessary to:
 - make sure that there are no damages or different faults which could endanger user's life,
 - check if all parts are working and are correctly mounted and, moreover, check if they are not broken,
 - check if all screws, knobs and all glued, sewed or tapped parts are tightened,
 - check the condition of the upholstery for signs of damage,
 - check if brakes are operating correctly,
 - check if buckles are operating correctly,
 - always use safety belts, velcro tapes should overlap min. 8cm,
 - adjust the device according to user's measurements and needs by adjusting the adjustable elements of the device,
 - make sure that the moving parts and adjustment knobs of the device are stable and locked,
 - secure user with the aid of elements of the device equipment. That is to protect the user ex. from falling, slipping out of the device,
 - check if the wheels are correctly mounted and inflated, if there is not enough air, the wheels must be inflated to a maximum pressure of 2,4 bar.
2. It is forbidden to use stroller for different purposes that it is intended to.
3. It is forbidden to use the product if the upholstery is not properly installed.
4. It is forbidden to use stroller when it is damaged or any part is missing.
5. It is forbidden to leave the user unattended.
6. Stroller should be used only when there is someone who is trained and knowledgeable.
7. It is forbidden to leave stroller and the user on unstable ground unattended, even if the brake is engaged.
8. It is forbidden to either go up or down the stairs; it doesn't matter if the user is placed in the device or not.



7. Safety rules

9. It is important to engage brake during getting into and getting out the stroller.
10. Make sure that the user does not stand on the footrest when getting in and out of the stroller.
11. Make sure that all limbs are not close to spokes or other adjustable elements.
12. The stroller should be stored and used away from sources of fire or high temperature. Moreover, stroller shouldn't be stored in rooms with high humidity.
13. Secure stroller during transportation in order to avoid any possible damages. Manufacturer doesn't take responsibility for damages which appeared due to improper preparation of the device during transportation.
14. Before using the stroller, remove all paper and plastic packaging. The packaging is not a toy. Keep away from children and animals

ATTENTION!

Incorrect product adjustment can lead to such side effects as fainting, body deformities, joint overload, etc. If the abovementioned symptoms occur, stop using the product immediately, take the user out of the product and lay them down. If the undesirable symptoms persist, contact a physician immediately. If the symptoms have disappeared, inform the attending physician about this fact in order to make a decision about the further rehabilitation process.

Serious incidents involving this device should be reported both to manufacturer and to the competent authority in your country

It is forbidden to place the user in the device while being in car, bus or train.

The product contains small parts which children may swallow.

Do not use a product that has any signs of damage, tearing or wear. Only an undamaged product and proper use guarantee its right and safe working. If the product is damaged, discontinue use and contact the manufacturer

Under no circumstances should an unqualified person repair or alter the product and its construction, as the health and safety of the user depend on it as well as it will lead to the loss of warranty.

Remember that all the loads hung on the push handle may cause the stroller to lose its balance.

Maximum load of the storage pocket behind the backrest is 1 kg.

Maximum load of the under seat storage basket is 3 kg.

The weight of user should not be bigger than maximal weight described on page 8 where you will find information regarding this issue.

8. Terms of warranty

- Akces-MED Ltd. sells products free from manufacturing defects or faults.
- Manufacturer gives the purchaser 24-months guarantee from the date of purchase. All defects revealed during warranty period will be repaired free of charge.
- All defects which appear after warranty period can be repaired only when the user will pay for it. This rule doesn't apply to refunded products - user can ask National Health Refund for refund.
- Manufacturer claims that the product can be used for 48-months. User can use this product after this period only when he/she will send the device to manufacturer so as to service it. Next, manufacturer determines again how long the product can be used and, moreover, the date of the next service will be determined.
- If product is damaged, please contact our dealer or Akces-MED Ltd. customer service: (ph. +48 17 864 04 77, e-mail: export@akces-med.com).

9. Maintenance and cleaning

The stroller KUKINI™ which is a medical device, should always be kept clean and should be used in accordance with the manufacturer's instructions. The stroller should be kept in a clean, dry and ventilated room. Maintenance and cleaning must be done at least once a month. Periodic cleaning and maintenance of the chair is essential to keep its proper functioning and safety.

Recommendations for cleaning the upholstery and other elements of the stroller:

1. Hand wash, dry clean or dry without solvents at a maximum temperature of 40°C.
2. Remember to remove excess moisture from the upholstery before the next cleaning.
3. Do not use hard brushes for cleaning the upholstery.
4. Do not clean, replace any elements or maintain the product during use
5. For light stains, wash with lukewarm water using a soft cloth soaked in a mild, generally available cleaning agent.
6. Make sure the cloth is not too wet, as this may enlarge the stain and damage the upholstery or foam inside the upholstery.
7. After cleaning the stains, the upholstery should be rinsed with lukewarm water and dried with a clean cloth.
8. Do not clean the upholstery with strong chemicals, e.g. solvents or chlorine-based caustics.
9. Metal and plastic elements should be cleaned by hand with suitable cleaners, after having read the recommendations of the manufacturer of the given cleaner.

9. Maintenance and cleaning

10. It is possible to disinfect metal, plastic, wooden and upholstery elements of the product with a generally available disinfectant. In order to disinfect the selected element, spray its surface with a disinfectant generally available on the market and wipe with a dry, clean cloth. After disinfection, wait until the element is completely dry, especially in the case of upholstery. Before using the disinfectant, first check in an invisible place whether the product will not discolor or damage the disinfected surface.

ATTENTION!

Before removing the upholstery for washing, remember to unscrew the safety screws on both sides of the stroller frame. After the cleaning is complete and the upholstery is put on the stroller, it is essential to tighten the screws!

REQUIRED TOOLS



Before using it is necessary to:

- clean wheels,
- check if base as well as wheels are correctly mounted; check if brake stops turning wheel,
- check if stroller construction is free of breaks or any kinds of deformities,
- check if all movable parts are working and all screws, nuts, knobs etc. are correctly tightened,
- check if belts, vests, trunk belts, feet stabilizing belts etc are not frayed; check if buckles and clamps work correctly.

ATTENTION!

Remember that upholstery has to be always dry before using!

The manufacturer of the stroller, Akces-MED. Ltd., is not responsible for any damages caused by using unsuitable cleaners.

Manufacturer takes responsibility only for hidden faults or damages which appeared despite the fact that user complied with the guidelines.

In case of any damages, it is essential to contact the person who sold you the product.



9. Maintenance and cleaning

TECHNICAL INSPECTION

Technical inspections should be performed regularly. Before servicing, the product should be thoroughly cleaned to reveal any hidden damage.

Frequency	What should be checked?	What should be done?	Remarks
Before each use.	General condition of the product.	<p>Check:</p> <ul style="list-style-type: none"> the entire product for any visible damage, cracks or mechanical defects, if the product complete, if all bolts, screws, knobs, nuts and other elements of the construction are complete and tightened. 	In case of any damage or defects, discontinue the use of the product and contact your Supplier / Distributor or the Manufacturer.
	Wheels and brakes.	<p>Check:</p> <ul style="list-style-type: none"> if the wheels are properly mounted and if they are not damaged, if the brake is blocking the spinning wheel, if the wheels are not dirty. If necessary, clean the wheels. 	In case of any damage or defects, discontinue the use of the product and contact your Supplier / Distributor or the Manufacturer.
	Fastening of the construction elements.	<p>Check all the mechanisms of the product and its moving parts. Check in particular:</p> <ul style="list-style-type: none"> if the seat is properly mounted (if applicable), if the wheels are properly mounted (if applicable), if the elements securing the user are properly mounted and if they work well (if applicable), if all the moving parts are complete, work properly, do not jam, if the adjustment mechanisms of the following elements work properly (if applicable): headrest, backrest, seat, abduction block, armrests, footrests. 	In case of any damage or defects, discontinue the use of the product and contact your Supplier / Distributor or the Manufacturer.
	Upholstery elements.	<p>Check:</p> <ul style="list-style-type: none"> if there is any damage, tears, rips, loose seams or deformations on the upholstery elements, if the stabilizing straps, vests or safety belts are not frayed or twisted and if the buckles work properly, if the stabilizing straps, vests or safety belts work correctly and do not unfasten under pressure or when pulled. 	In case of any damage or defects, discontinue the use of the product and contact your Supplier / Distributor or the Manufacturer.
Once a week.	Product cleaning.	<p>If the frame and upholstery get dirty (dusty, muddy, etc.) during everyday use, wipe them with a damp cloth without detergents. Remove dirt (e.g. hair, food remains, etc.) from the moving parts of the product.</p>	<p>The product should be cleaned when necessary, but at least once a week. Do not use any chlorine based cleaners or methylated spirit.</p> <p>Before using the product, check if the upholstery is dry.</p>

9. Maintenance and cleaning

TECHNICAL INSPECTION

Technical inspections should be performed regularly. Before servicing, the product should be thoroughly cleaned to reveal any hidden damage.

Frequency	What should be checked?	What should be done?	Remarks
Once a month.	Wheel axles, quick connectors (if applicable).	Check: <ul style="list-style-type: none"> if the wheels are rolling and if they are not loose. To maintain the wheels, apply a small amount of a preservative-lubricant between the axle and the wheel hub. Check if you can easily remove and attach the wheels. 	Clean the wheels when dirty. In case of any damage or defects, discontinue the use of the product and contact your Supplier / Distributor or the Manufacturer.
	Product construction connectors (welding, threading, soldering).	Check: <ul style="list-style-type: none"> the condition of the product frame in the places of joining (welds, threads, soldering). 	In case of any damage or defects, discontinue the use of the product and contact your Supplier / Distributor or the Manufacturer.
	Tires/innertubes (if applicable).	Check: <ul style="list-style-type: none"> tire wear condition. Check for visible damage. Check tire pressure (if applicable). 	If the tire pressure is too low, inflate them to the correct level. In case of any damage or defects, discontinue the use of the product and contact your Supplier / Distributor or the Manufacturer.
Once every 6 months.	Construction moving parts.	Check: <ul style="list-style-type: none"> if the moving parts of the construction have not been damaged. Maintain them using a proper cleaning agent. 	In case of any damage or defects, discontinue the use of the product and contact your Supplier / Distributor or the Manufacturer.
	Product labelling.	Check: <ul style="list-style-type: none"> if the marking and labels are readable. 	In case of any damage or defects, discontinue the use of the product and contact your Supplier / Distributor or the Manufacturer.
After the life time of the product finishes.	Detailed product check.	Check the product.	The manufacturer specifies the life time of the product, which is given in the user manual. After the given period, the user may use the product only if it is sent back to the manufacturer to be checked first. After that, the manufacturer will re define the life time of the product and the date of the next check.

10. Labelling

CE Declaration that the product meets the essential requirements

REF Catalog number

SN Serial number

i Please read the manual instructions before use

! You need to take special precautions!

Factory Manufacturer

Calendar Production date

MD Medical device

LATEX The product does not contain latex

Umbrella Store in a dry place

Sun Protect from sunlight

Thermometer Storage temperature limitation

%RH Relative humidity storage

Vertical lines Dry vertically

Circle with X Do not tumble dry

Circle with X and Cl Do not chlorinate

Circle with X and Fe Do not iron

Hand in water Hand wash

40° Wash at maximum temperature 40.C

Circle Dry clean

P Any solvent except tetrachlorethylene

Triangle with X Do not bleach

Glass Careful! Delicate content

Hand with X Prohibition of use without fastened safety belts

Stair with X It is forbidden to either go up or down the stairs. It doesn't matter if the user is placed in the device or not

Person with X Prohibition to leave the user without care during use of the product

i You need to read the additional information

PRESS You need to press the button shown in the photo

Wrench You need to use the tools indicated in the assembly description

Sample data plate

PRODUCT NAME PL: KUKINI 1 WÓZEK SPECJALNY INWALIDZKI

PRODUCT NAME EN: KUKINI 1 SPECIAL NEEDS STROLLER

MAX LOAD: 40 kg

DATE OF PRODUCTION: 02.2024

QR CODE: AFTER SCANNING, IT DIRECTS YOU TO THE MANUFACTURER'S WEBSITE

MANUFACTURER ADDRESS: AKCES-MED Sp. z o.o., Jasionka 5206B, 38-032 JASIONKA, POLAND

BARCODE: 5 9038 16 52318

LABELLING LOOK UP: MD, i, CE

SERIAL NUMBER IN BARCODE FORM: SN KKN 007/U/1/BB

SERIAL NUMBER: KKN 007/U/1/BB

MANUFACTURER



Akces-MED Ltd.

Jasionka 955 B
36-002 Jasionka
tel. +48 17 864 04 77
e-mail: export@akces-med.com
BDO: 000031619

Authorised Dealer