

**AKVOSEGO™**  
bath chair



**AKVOSEGO™** bath chair was created to help maintain good hygiene.

The carer can easily perform all the bathing activities while the child is protected and the risk of injury is reduced.

Stable and comfortable position provides more comfort for patient when in the bath.

Lightweight, aluminium frame and net upholstery protect against adverse effects of water. All the products for bathing have pipes filled with polyurethane foam, which prevents water ingress. After removing the product from bath or shower water will not leak out which will remain your floor dry.

Adjustable seat and moving elements help to fully adapt the chair to the patient's needs.

Thanks to its compact design **AKVOLITO™** deckchair takes up little space when folded down.

The areas where the chair contacts the ground are protected with foam covers so as not to damage the bathtub surface.

Available in **3** sizes.

## IT IS RECOMMENDED IN THE FOLLOWING CASES:

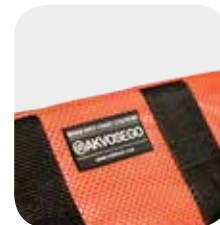
- Infantile cerebral palsy,
- Paralysis,
- Injury or amputation of limbs,
- Deformation of limbs,
- Degeneration or injury of joints.



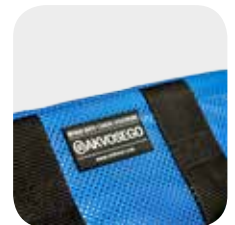
## COLORS



Size 1



Size 2



Size 3

## STANDARD EQUIPMENT:

WATERPROOF UPHOLSTERY HYDRO™ made of nylon mesh | Pelvic-femoral belt | Adjustable head stabilizer | Adjustable trunk stabilizer | Adjustable leg stabilizer | Water-resistant adjustable chair's frame | equipped with foam covers to avoid scratches on the bath tub



## ADVANTAGES:



### Waterproof

This construction is neutral for harmful water influence.



### Lightweight construction

The product is made of lightweight and durable materials



### Compact

When folded occupies very little space.



### Easy to use

Adjusting does not require the use of tools.



### Safety

Seat belts protect the child while bathing.



### 24 months warranty

We offer 24 months warranty on the product. We also provide after sales service.



Innovative articulated system with a wide range of frame adjustments makes it possible to adjust the chair to patient's measurements as well as needs.

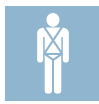


Trunk support and lower limbs support is a system of belts that makes it possible to adopt correct body position while being in a chair. Moreover, belts stabilise the patient and make the use of a product safe and comfortable.



Head support with pelottes. It is possible to adjust the width of pelottes.

## ACCESSORIES:



### Stabilization



### Materac BodyMap K

Vacuum stabilizing mattresses which can be easily shaped to the patient's body. They are perfect for bed sores prevention due to the fact that they support pressure points. They enable patient to keep correct position for trunk, hips, head, upper as well as lower limbs. They are used so as to correct postural defects



### BodyMap strap set

A set of Velcro straps used for fastening the cushion.



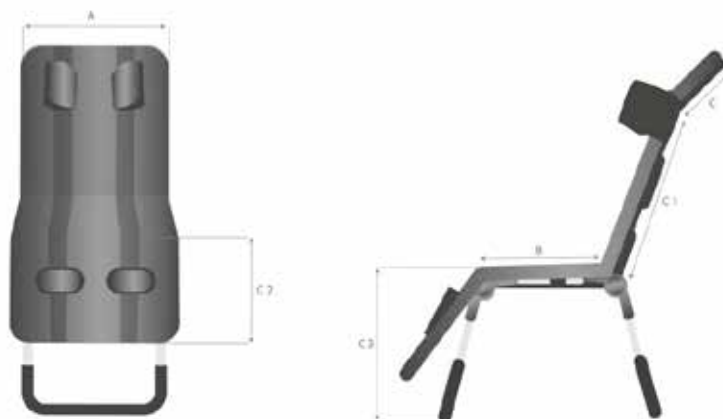
### Mobile base for bath chairs AKVO™



Product is able to use with BodyMap™

Check at [www.bodymapsystem.com](http://www.bodymapsystem.com)





Symbol	Measurement	Unit	Size 0	Size 1	Size 2	Size 3
A	Width fotelika	[cm]	37	42	45	50
B	Seat depth	[cm]	23 - 28	28 - 33	32 - 40	37 - 50
C	Headrest height	[cm]	16	16	19	23
C1	Backrest height	[cm]	31	40	44	50
C2	Lower leg length	[cm]	26	31	36	41
C3	Seat height (od podłoża)	[cm]	11 - 44	11 - 44	13 - 49	15 - 54
	Kąt pochyleńia podparcia nóg (relatively to the seat)	[°]	90 - 180	90 - 180	90 - 180	90 - 180
	Backrest tilt angle(relatively to the seat)	[°]	90 - 180	90 - 180	90 - 180	90 - 180
	Kąt pochyleńia podparcia głowy (względem oparcia)	[°]	205	210	210	205
	Max. user weight	[kg]	25	30	50	75
	Indicative user height*	[cm]	< 100	100 - 120	120 - 140	130 - 170

Product dimensions & weight			Size 1	Size 2	Size 3
Width	[cm]	42	42	45	50
Width after folding	[cm]	42	42	45	50
Length	[cm]	70	75	91	97
Length after folding	[cm]	64	67	76	88
Height	[cm]	80	85	96	113
Height after folding	[cm]	28	28	29	31
Weight	[kg]	4	4,5	5	8

**Note:** Measurement tolerance range is +/- 1 cm / ½ in.

\*The value cannot be main factor for selection of product size.